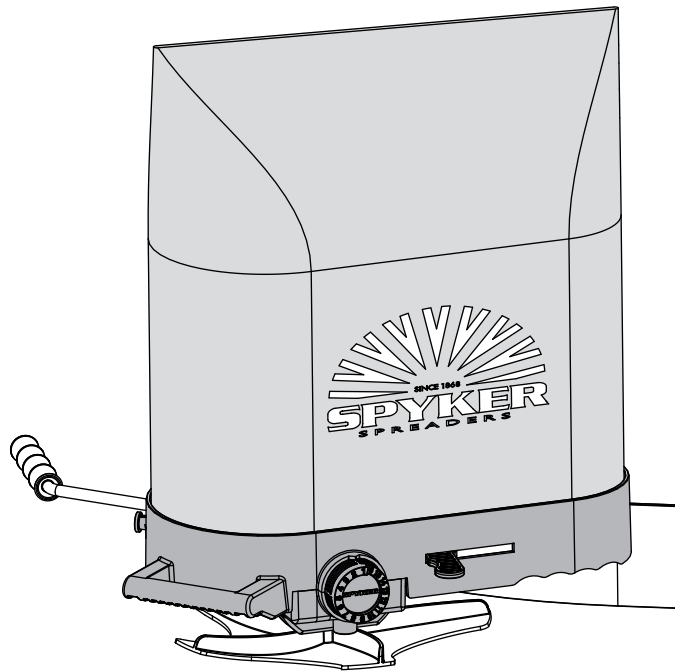




OPERATOR'S MANUAL

BCS25 - 25lb Bag Spreader



Spyker Spreaders

Contact us at 800.972.6130
www.spyker.com

▲ IMPORTANT

**This manual contains information for the safety of persons and property.
Read it carefully before assembly and operation of the equipment!**

TABLE OF CONTENTS

Safety	2
Parts	3
Assembly	4
Use and Care	5-7
Maintenance	5
Storage	5
Calibration System	5
Application Guide	5
Calibrating Guide	6-7
Settings	7
Warranty	8

OPERATING SAFELY

General

- Projected particles can cause eye damage. Do not operate spreader near bystanders or animals.
- Use this spreader for intended purpose only.
- Do not spread wet or damp material. It could cause damage to the spreader.
- Keep all parts in good condition and properly installed.
- Do not use spreader if parts are missing, worn, or damaged. Replace missing, worn, or damage parts.
- Do not modify the spreader. Unauthorized modifications may impair the function or safety and will void the warranty.
- Wear substantial footwear and long trousers. Do not operate the equipment when barefoot or wearing open sandals.
- Do not wear loose fitting clothing that can get caught in the fan.
- Keep hands away from fan while in operation.
- Always wear eye protection when operating the spreader.
- Stay alert for holes in the terrain and other hidden hazards while spreading.
- Always wash hands after contact with fertilizers or pesticides.

Personal Protective Equipment

- Always wear ear and eye protection when operating the spreader.
- Wear appropriate clothing, footwear, and safety equipment when operating spreader.
- Do not operate the spreader when barefoot or wearing open sandals.

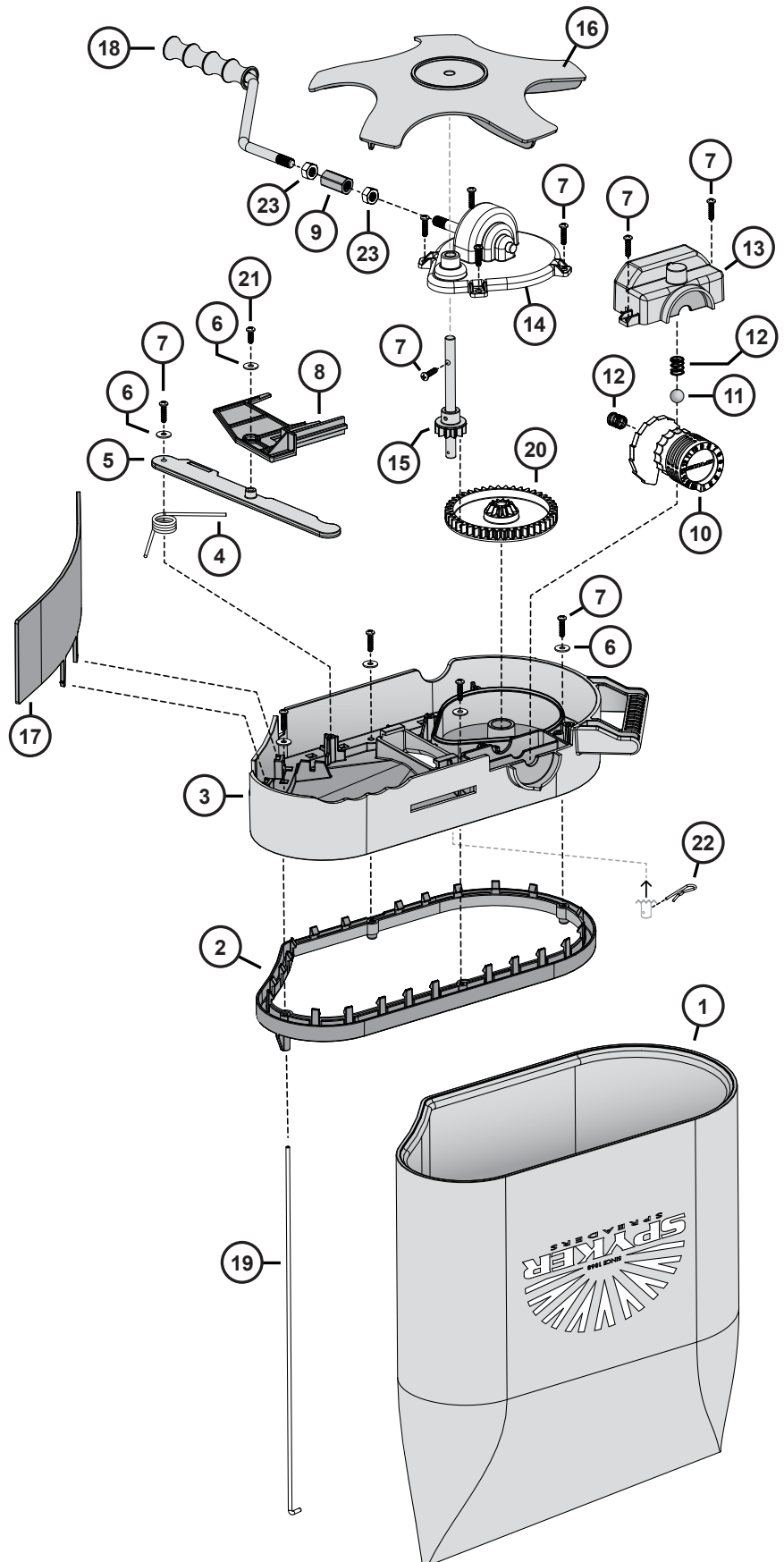
Part List

DO NOT RETURN PRODUCT IF YOU ARE MISSING PARTS.
PLEASE CALL: 1 (800) 972-6130

No.	Part #	Description	Qty
Parts within assembled spreader body:			
1	1019473	Bag Assembly	1
2	1020075	Retainer Ring with Gasket	1
3	1020074	Base with Labels	1
4	1019492	Torsion Spring	1
5	1019490	Gate Lever	1
6	1019491	Washer; Oversized M4	6
7	1019496	Screw; Thread Forming, M4 x 16	12
8	1019489	Gate	1
9	1019485	Coupling, M8 x 1.25	1
10	1019493	Calibration Dial	1
11	1019497	Nylon Ball, 11 mm	1
12	1019484	Compression Spring	2
13	1019494	Calibration Dial Cover	1
14	1019506	Gear Box Cover Assembly	1
15	1019495	Fan Shaft Assembly	1
16	1019477	Fan	1
20	1019476	Combination Gear	1
21	1019597	Screw; Thread Forming, M4 x 10	1
22	1019478	Cotter Pin, 4 mm	1
23	1020071	Nut, M8 x 1.25	2
24	1020064	Shoulder Pad *	1

* not illustrated

Additional parts in the box:			
17	1019498	Broadcast Shield	1
18	1019504	Handle Assembly	1
19	1019505	Bag Support Rod	1

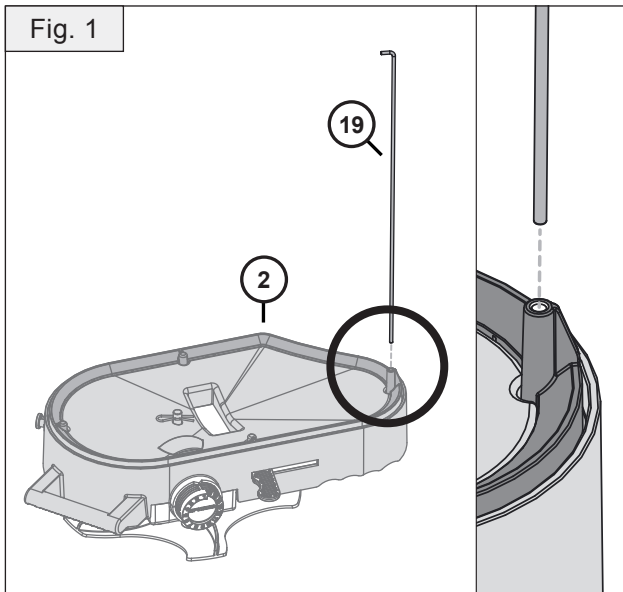


Assembly

1. Adding Support Rod

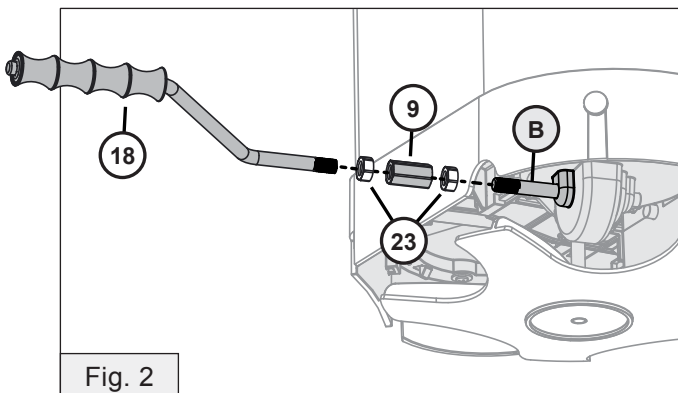
Inside the bag (*not illustrated*) find the rim of the bag retainer (2). On the opposite side of the handle, you will find a slightly extended opening.

Slide the bag support rod (19) in place here, as illustrated below.



NOTE: Tilt spreader base slightly back and look underneath the fan for this step.

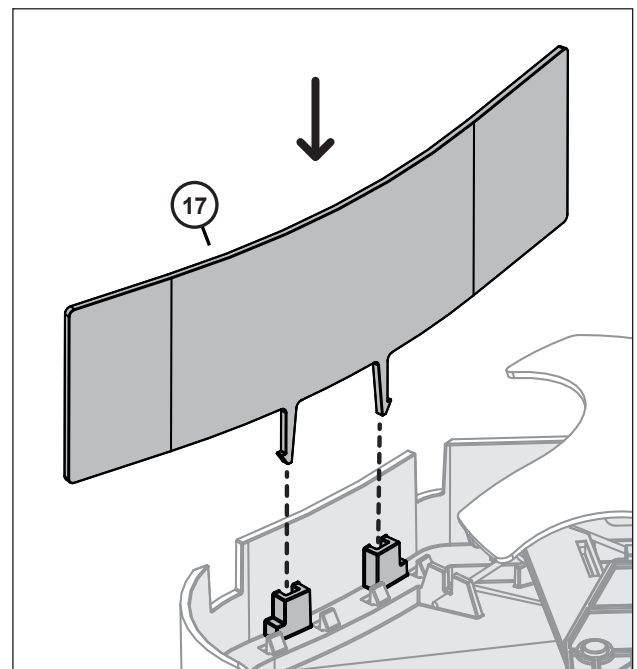
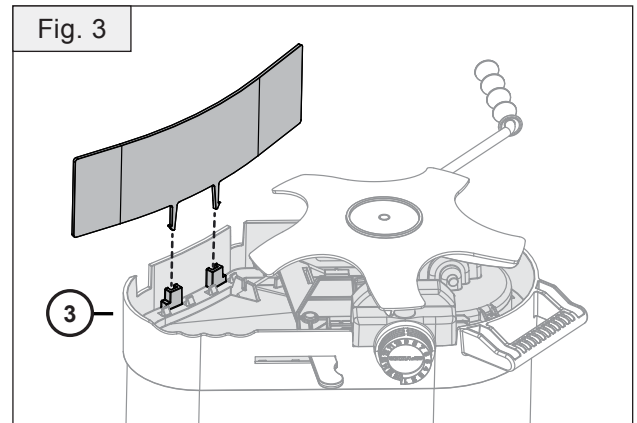
2. Attach the handle (18), nuts (23) and coupling (9) to the base of the spreader at the crank shaft (B) as illustrated. Tighten nuts (23) to secure.



NOTE: Flip the spreader upside down for this step.

3. Two small openings can be found along the shorter flat edge of the spreader base (3). Using these openings, slide the Broadcast Shield (17) into place as illustrated below.

This shield will securely snap into place.

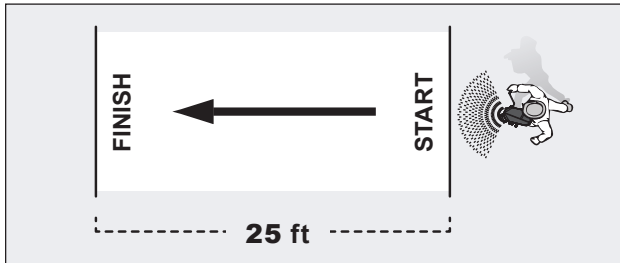


Use and Care

The goal is to determine which setting on the calibration knob will correspond to the recommended application rate for the material being spread. The application rate will be printed on the bag or container that the material was supplied in. Locate the application rate before proceeding with the calibration trial.

CALIBRATION

1. Measure a distance of 25 feet on grass or another surface that will prevent the spread particles from bouncing (such as a large blanket or loose dirt) and mark a start and finish line.



2. Fill the bag approximately 3/4 full & weigh the spreader. Record this weight in pounds as Initial Weight.

INITIAL WEIGHT	_____ lbs
-----------------------	-----------

3. Set the calibration knob to the setting that corresponds to the material most similar to the material you are trialing.
4. Begin to spread material while walking down the track at a speed of 3 MPH. Turn the crank one full rotation every other step.
5. Weigh the spreader and record the weight in pounds as Final Weight.

FINAL WEIGHT	_____ lbs
---------------------	-----------

* NOTE: If the scale reports weight in pounds and ounces, see appendix A (below) to convert to pounds.

6. Measure in feet the total width of ground that the material covers. Subtract 4 feet and record this value as the Spread Width.

SPREAD WIDTH	_____ ft
---------------------	----------

7. Calculate the actual application rate using the following formulas:
8. Determine the weight of the material spread in pounds:

HOW TO CALCULATE MATERIAL SPREAD	Initial Weight _____ lbs
	- Final Weight _____ lbs
	<hr/> = Material Spread _____ lbs

9. Next, find the area covered in square feet:

HOW TO CALCULATE THE AREA COVERED	Spread Width _____ ft
	x Length of Track 25 ft _____
	<hr/> = Area Covered _____ ft

10. Lastly, calculate the application rate in pounds per 1000 square feet:

HOW TO CALCULATE APPLICATION RATE	
(A)	Material Spread _____ lbs
<hr/>	
(B)	Area Covered _____ ft
) x 1,000	
<hr/>	
= Application Rate _____ lbs/1000 sq ft	

* NOTE: To calculate the rate in lbs/acre instead of lbs/1000 sq ft, multiply the (A/B) value by 43,560.

Appendix A: Converting pounds-ounces to pounds. Scales will often report weight in pounds and ounces instead of just pounds. Use the steps below to convert to pounds.

1. Determine the ounces value on the scale.
2. Divide the ounce value by 16.
3. This decimal will be the decimal value of the weigh in pounds. Use the weight in pounds for calculate application rate.

Example: 10 lbs - 12 ounces.

Example: 12 ÷ 16 = 0.75

Example: 10lbs - 12 ounces = 10.75lbs

(The number 12 represents the ounces)

Use and Care

CALIBRATION, *continued*

Compare this application rate to the rate specified by the manufacturer. If the actual rate is lower than the rate specified by the supplier, rerun the trial at a higher calibration setting. If the actual rate is higher than the rate specified by the supplier, rerun the trial at a lower calibration setting.

Continue to run the trial(s) until the actual application rate matches the rate specified by the manufacturer. Record the calibration setting that corresponds to this rate and use this setting when spreading the trial material.

Example:

TRIAL MATERIAL: Tall Fescue with a recommended application rate of 7 lbs / 1000 ft²

INITIAL WEIGHT:	FINAL WEIGHT:	SPREAD WIDTH:
8.2 lbs	7.3 lbs	12 ft

MATERIAL SPREAD: 8.2 lbs - 7.3 lbs = 0.9 lbs

SPREAD AREA: 12 ft x 25 ft = 300 ft²

APPLICATION RATE: $\left(\frac{0.9 \text{ lbs}}{300 \text{ ft}^2} \right) \times 1,000 = 3 \text{ lbs} / 1000 \text{ ft}^2$

The actual rate was determined to be 3 lbs / 1000 ft².

Since is rate is lower than the rate recommended by the manufacturer (7 lbs / 1000 ft²), the trial should be rerun at a higher calibration setting.

SETTINGS

Seed / Fertilizer	Spread Width (ft)	Application Rate (lbs / Acre)	Recommended Dial Setting
Oats	10	60	8
Sorghum	12	25	3
Trophy Rape	16	10	2
Mustard and Turnips	14	10	1
Alfalfa	15	25	2
Timothy	13	2.75	1
Wheat	16	90	6
Crimson Clover	18	22	2
Triticale	17	100	7

Seed / Fertilizer	Spread Width (ft)	Application Rate (lbs / 1000ft ²)	Recommended Dial Setting
Bermuda Grass	12	2	4
Ryegrass	14	1	4
Small Pellet / Granual	14	5	7
Medium Pellet / Granual	18	3	6
Large Pellet / Granual	14	4	5

Scan this QR code for a dial setting calculator.



NOTE: These settings are intended as a guide only.

Factors such as variation in material density, moisture in the material, walking speed, cranking speed, and ground conditions will affect the application rate of the spreader. Because of this variation, Spyker makes no warranty as to the uniformity of coverage actually obtained from the settings listed or determined using the calibration trial.



WARRANTY

1 YEAR LIMITED WARRANTY

This is warranted to the original purchaser only. Spyker will replace parts with defects in materials and workmanship, for a period of one year from the date of purchase.

Spyker Spreaders will not be liable for any loss, damage or expense including, but not limited to, consequential or incidental damages, arising from the operation, condition or use of the item. The sole and exclusive remedy against Spyker Spreaders being the replacement of the defective parts. This warranty gives you specific legal rights, and you may also have other rights which vary from state to state.

This express warranty, which is applicable only to the original purchase, is in lieu of and excludes all other warranties, whether expressed or implied by operation of law or otherwise, including any warranty of merchantability or fitness for particular purpose.

SPYKER SPREADERS
Jeffersonville, IN 47130 USA
Phone: 800.972.6130
www.spyker.com